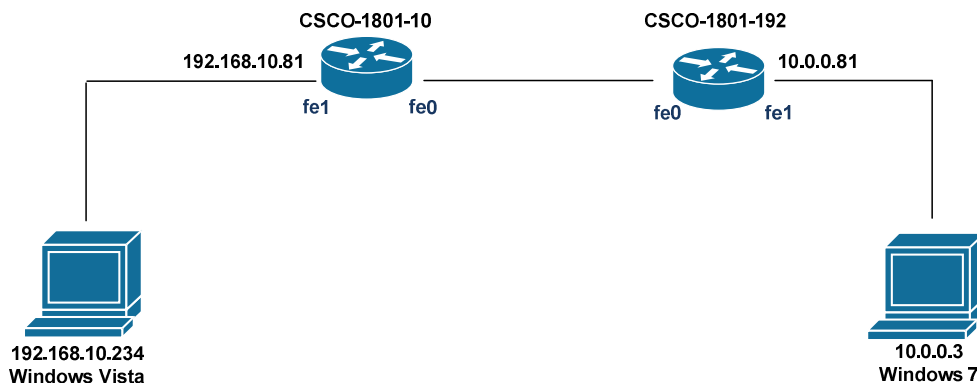


ICMP Reply is the answer to a ping. In times of no host-based firewalls ICMP replies always seems to be no issue. With more-and-more security restrictions it may have be blocked by the PC administrator or is blocked by default.

The challenge I have seen was during rebuilding my lab. As long as I was on the same subnet, I could ping and communicate with all kind of applications, but once I have those two routers installed, Ping did not work anymore



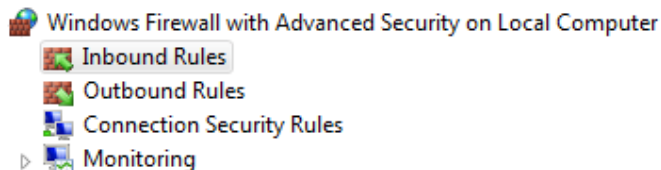
By design, Windows Vista and Windows 7 do not allow ICMP using Windows Firewall with Advanced Security. To enable ICMP replies, when initiated from a different subnet you could create an inbound rule for ICMP

1 - Open Administrative Tools from Control Panel

2 - Double-Click Windows Firewall with Advanced Security



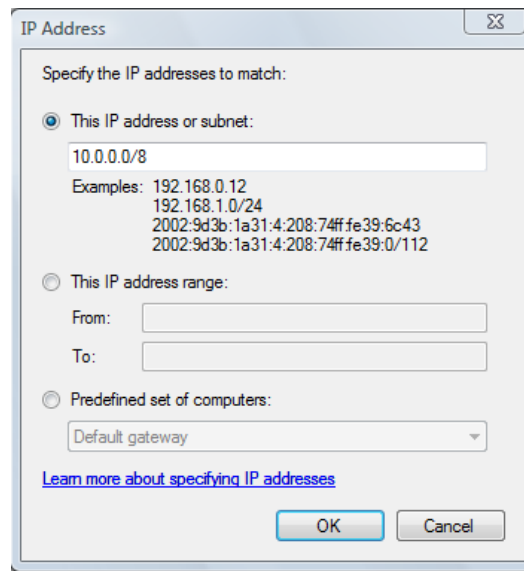
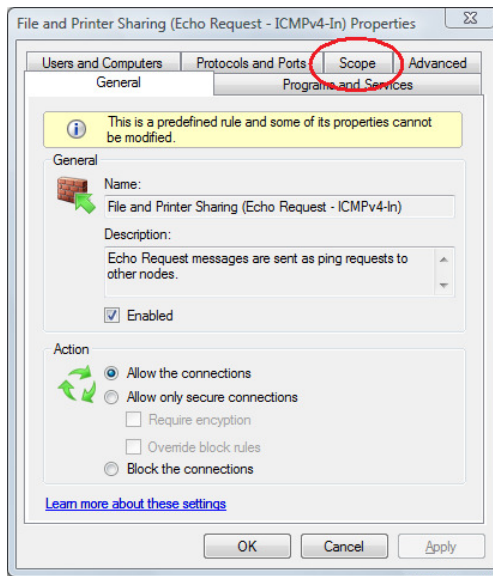
3 - Double-Click Inbound Rules



4 - Search for File and Printer Sharing (Echo - ICMP4-In) and click on properties

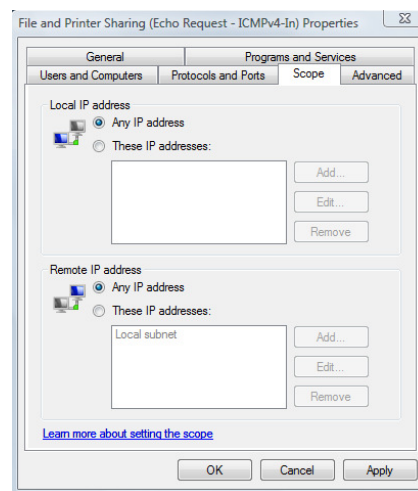
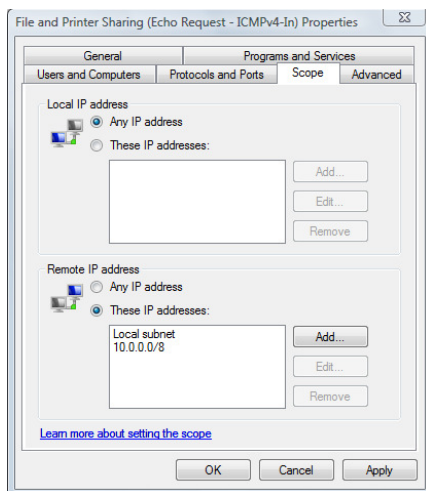
Name	Group	Profile	Enabled	Action
File and Printer Sharing (Echo Request - ICMPv4-In)	File and Printer Sharing	Domain	Yes	Block
File and Printer Sharing (Echo Request - ICMPv4-In)	File and Printer Sharing	Public	Yes	Block
File and Printer Sharing (Echo Request - ICMPv4-In)	File and Printer Sharing	Private	Yes	Allow

5 - Click on Scope and add remote subnet (10.0.0.0/8 - in this case)



Click on OK and Apply

(Public Rule)



Note: If you want to enable ICMP replies from any IP address, activate "any IP address and enable the rule